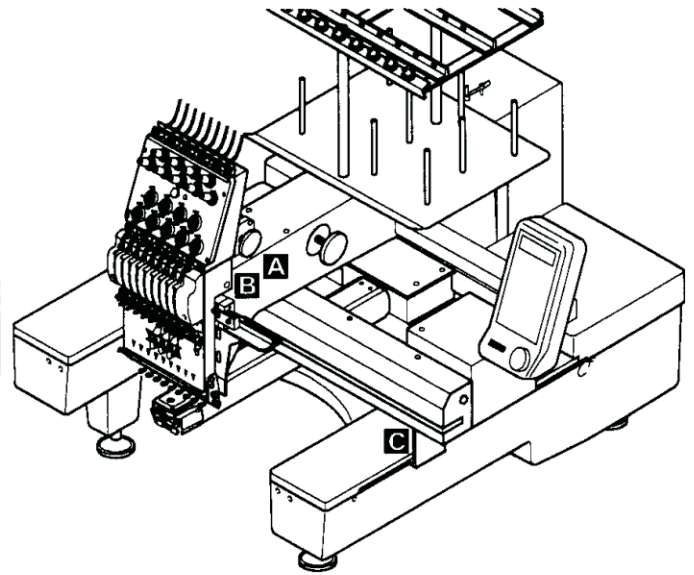



Greasing Points	Greasing Cycle
(1) Presser foot cam (2) Take-up lever drive cam (3) Roller of take-up lever	Once/3 months
(4) Case linear section (5) X/Y-axis drive system	Once/6 months



 As the guidance persuading the operator to perform greasing, the machine has a function to display maintenance information (p.13-3) on the operation panel.

When the maintenance information is displayed, turn OFF the power switch and perform greasing to the specified spots.

For other greasings, refer to the chart shown above.

